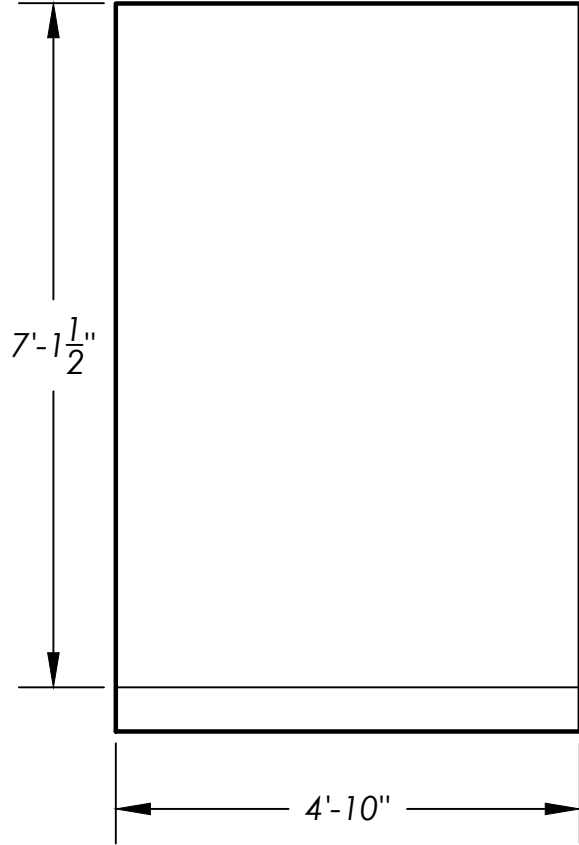
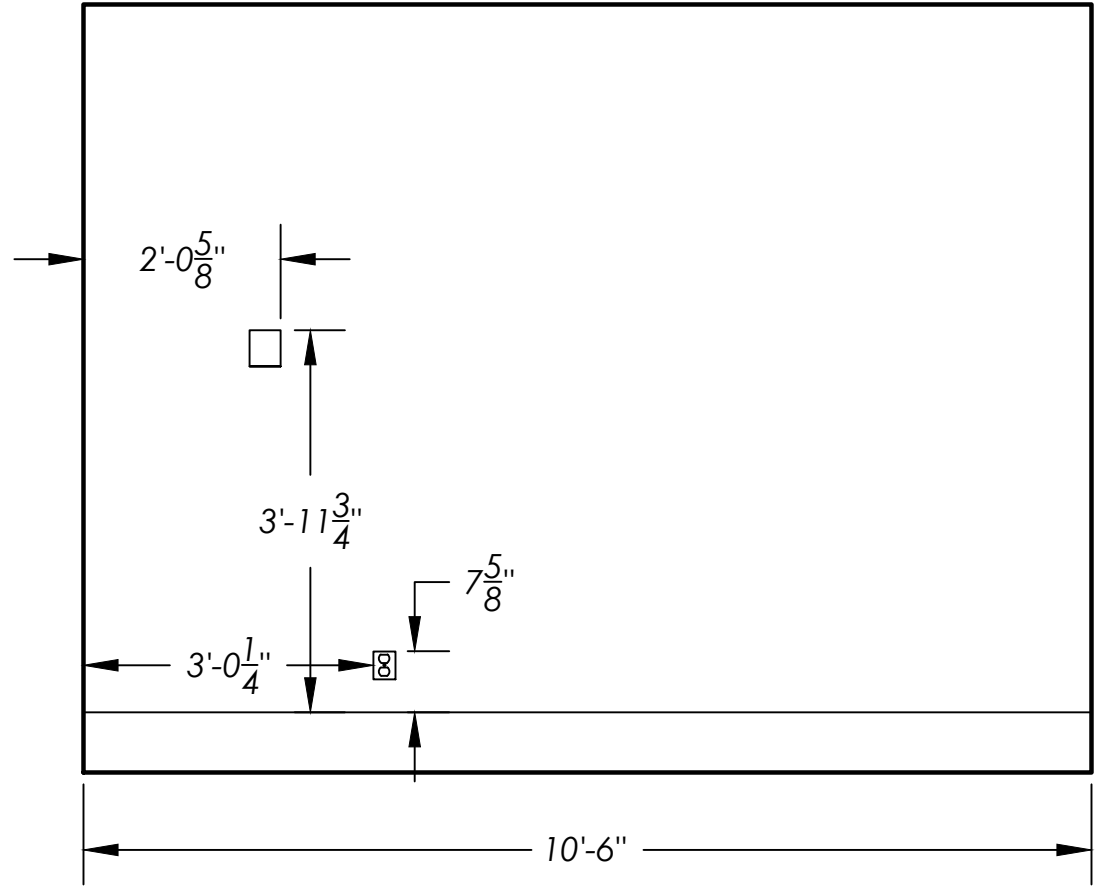


SPOTLIGHT GALLERY

PRODUCED BY AN AUTODESK EDUCATIONAL PRODUCT



South Wall

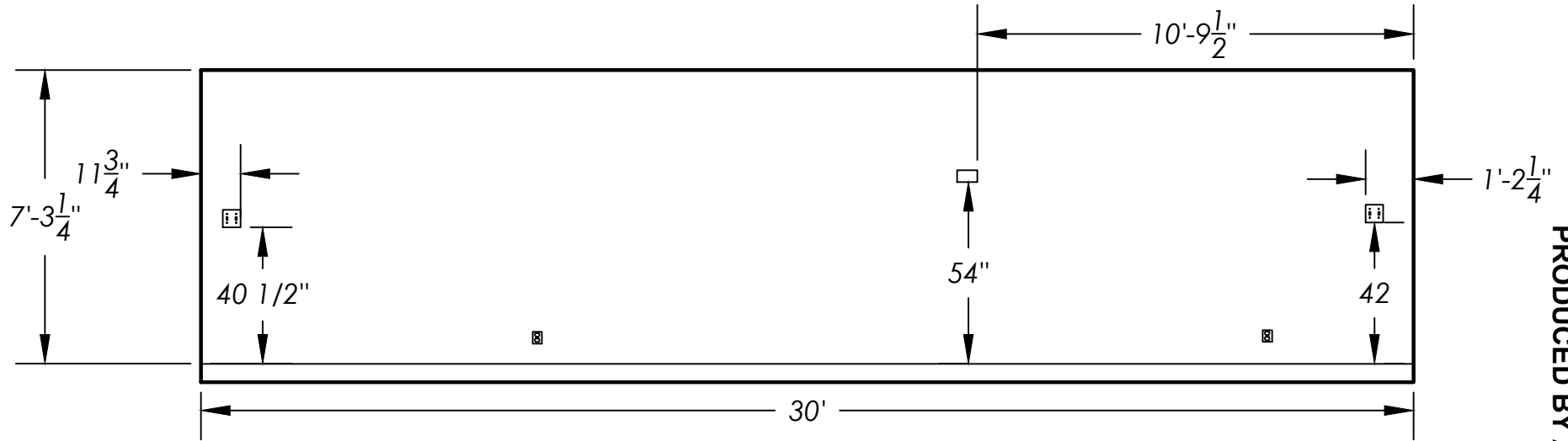


North Landing Wall

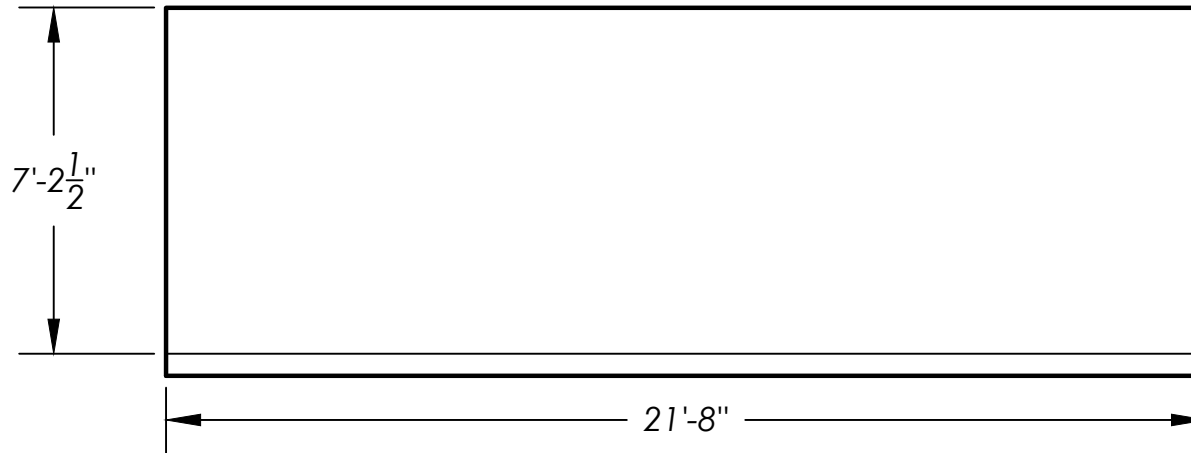
PRODUCED BY AN AUTODESK EDUCATIONAL PRODUCT

$$\frac{1}{2}'' = 1'$$

PRODUCED BY AN AUTODESK EDUCATIONAL PRODUCT



West Wall



East Wall

Spotlight Gallery

1/4" = 1'

PRODUCED BY AN AUTODESK EDUCATIONAL PRODUCT

PRODUCED BY AN AUTODESK EDUCATIONAL PRODUCT

PRODUCED BY AN AUTODESK EDUCATIONAL PRODUCT